

Instructions Kat.Nr. 42.7000

ECHO MASTER II

FEATURES

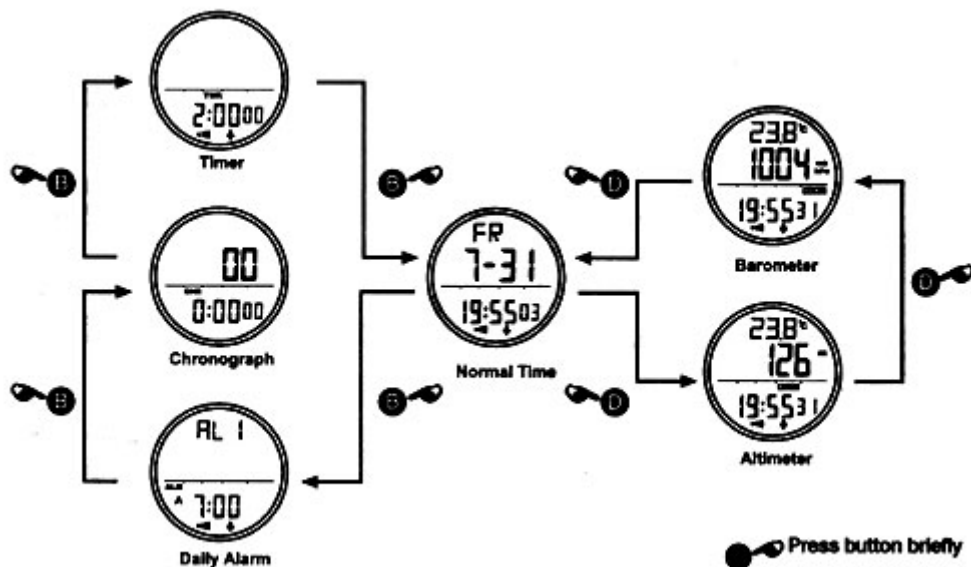
NORMAL TIME, 12/24 HOUR FORMATS
2 DAILY ALARMS & HOURLY CHIME
1/100 S CHRONOGRAPH
10 LAP MEMORY
COUNTDOWN TIMER
PRE-SET OR USER SETTING
EL BACKLIGHT
SENSOR FUNCTIONS:
THERMOMETER, BAROMETER & ALTIMETER



FUNCTIONS:

PRESS BUTTON(B) OR BUTTON(D) TO SELECT FUNCTIONS:

DAILY ALARM -> STOP WATCH -> TIMER -> NORMAL ALTIMETER -> BAROMETER -> NORMAL TIME



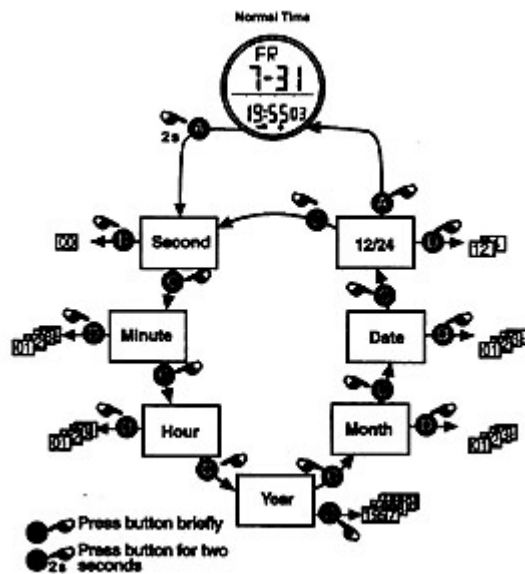
NORMAL TIME:

REAL TIME DISPLAY WITH DAY OF WEEK, MONTH, DATE, HOUR, MINUTE AND SECOND

TO SET:

-HOLD BUTTON (A) FOR TWO SECONDS

- SECOND DIGITS WILL FLASH.
- PRESS BUTTON (D) TO RESET TO ZERO
- THEN PRESS BUTTON (C) TO SELECT / ADJUST MIN. HOUR AND SO ON...



- AT ANY TIME PRESS BU1TON (A) TO RETURN TO NORMAL TIME
- THE DAY OF WEEK IS AUTOMATICALLY SET IN ACCORDANCE WITH THE DATE.
- THE DATE CAN BE SET WITHIN THE RANGE OF 1/1/1997 AND 12/31/2049.

ALARM TIME:

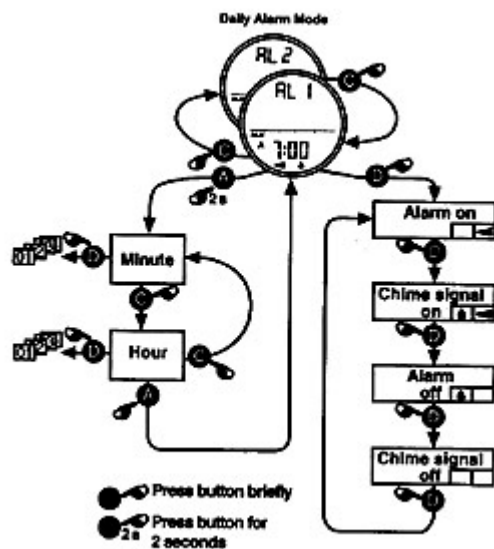
IN NORMAL TIME MODE PUSHING BUTTON (B) CHANGES THE MODE TO ALARM TIME, HOUR AND MINUTE. PRESS BUTTON (C) TO SELECT ALARM 1 OR 2.

ALM -ALARM TIME

- CHME SIGNAL ON
- ALARM SIGNAL ON

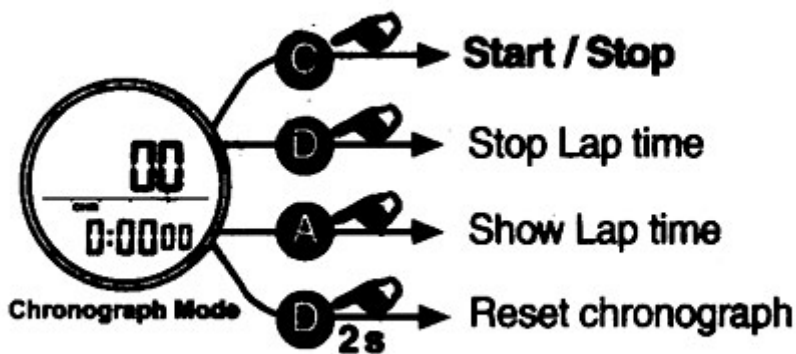
TO SET:

- HOW BUTTON (A) FÜR TWO SECONDS. TO ENTER INTO SETTING MODE.
- PRESS BUTTON (D) TO ADVANCE DIGITS
- PRESS BUTTON (C) TO SELECT / ADJUST.



CHRONOGRAPH:

1/100 SECOND CHRONOGRAPH OPERATION HAS A RANGE UP TO 23 HOURS 59 MINUTES & 59.99 SECONDS WITH 10 LAP MEMORY.



PLEASE DO NOT RESET THE VALUE IF YOU WANT TO KEEP YOUR LAP TIME RECORD ON THE WATCH

COUNTDOWN TIMER:

COUNTDOWN TIMER WORKING RANGE IS 23 HOURS 59 MINUTES TO ONE MINUTE THERE ARE 3 MIN, 5 MIN, 10 MIN, 15 MIN AND 45 MIN PRE-SETTED VALUES, AND ONE USER SET VALUE.

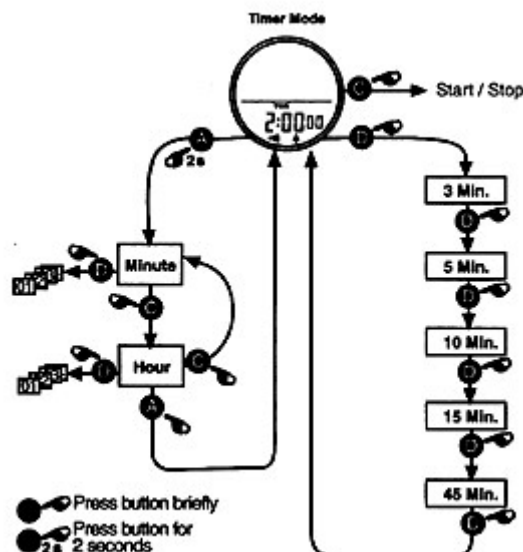
AT ANY VALUE, PUSH BUTTON (C) TO START AND STOP COUNTING.

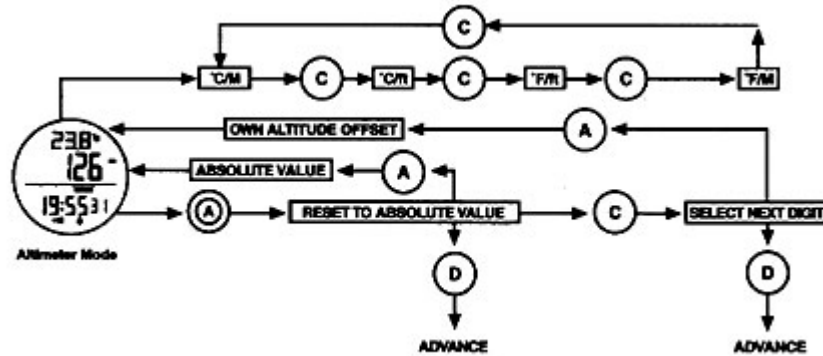
AT ANY TIME HOLD BUTTON (A) TO SET USER VALUE. THE SET VALUE WILL STAY UNTIL ERASED

ALTIMETER:

- DIGITAL ALTIMETER FOR ALTITUDE MEASUREMENT WITH REFERENCE SETTING; MEASURED RANGE FROM -702 M TO 9164 M OR -2309 FT TO 30149 FT AND THE DISPLAY RANGE IS -9164 M TO 9164 M OR -30149 FT TO 30149 FT WHICH DEPENDS ON THE REFERENCE SETTING; (ASSUME SEA LEVEL IS 1013.21MBAR & 0 M)

- IN NORMAL TIME MODE, PRESS BUTTON (D) TO SWITCH INTO ALTIMETER MODE. THE "ALTI" INDICATOR WILL BE DISPLAYED.



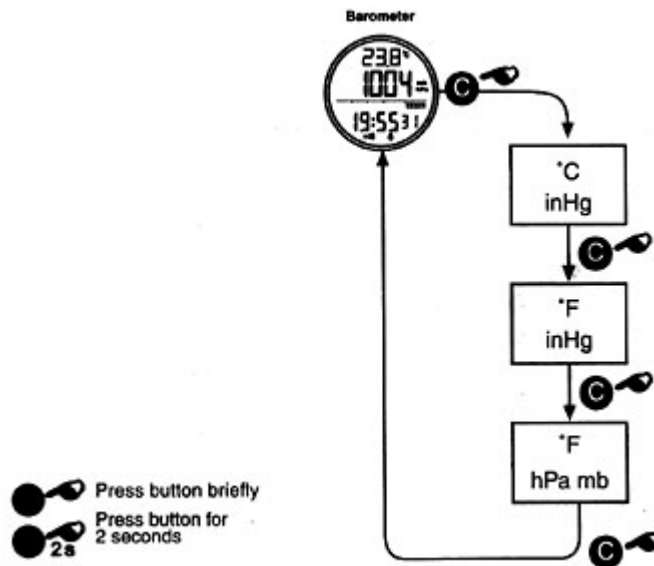


- IN ALTIMETER MODE THE WATCH IS CAPABLE OF DISPLAYING THE HEIGHT OF THE ABSOLUTE VALUE AND THE OWN ALTITUDE OFFSET.

-RESET TO ABSOLUTE VALUE BY PRESSING BUTTON (A) FOR 2 SECONDS AND BY PRESSING (A) AGAIN.

-SET REFERENCE VALUE TO ZERO OR OWN ALTITUDE OFFSET BY PRESSING (A) FOR 2 SECONDS AND BY PRESSING BUTTON (D) & BUTTON (C).

I.E. HEIGHT FROM POINT (1) TO POINT (2) OR POINT (3):
 AT POINT (1), HOLD BUTTON (A) FOR TWO SECONDS TO RESET ABSOLUTE VALUE OF ALTIMETER AND THEN PUSH BUTTON (D) & BUTTON (C) TO SET REFERENCE VALUE TO ZERO OR OWN ALTITUDE OFFSET. THEN USER CAN START MOVING UP AND GET THE HEIGHT VALUE FROM POINT (1) TO POINT (2) OR POINT (3).



THERMOMETER & BAROMETER:

IN THE ALTIMETER MODE PRESS BUTTON (D) TO SWITCH INTO BAROMETER MODE. THE "BARO" INDICATOR WILL BE DISPLAYED.

- DIGITAL THERMOMETER FOR TEMPERATURE MEASURES OVER THE RANGE OF - 10°C TO + 60°C OR 14°F TO 140°F.

- DIGITAL BAROMETER FOR ABSOLUTE PRESSURE MEASURES OVER THE RANGE OF 300 mbar to 1100 mbar OR 8 InHg TO 30 inHg.

TECHNICAL SPECIFICATIONS:

DATA DISPLAY IS ONLY ACCURATE IF THE WATCH IS USED WITHIN THE FOLLOWING RANGES:

BAROMETER DISPLAY AND MEASURING RANGE: 300hPa/mbar TO 1100 hPa/mbar OR 8 inHg TO 32 inHg RESOLUTION: 0.1 hPa/mbar*

ACCURACY:

(1) +/- 1 hPa/mbar AT 30.0 °C

(2) +/- 3 hPa/mbar OVER TEMPERATURE RANGE -10.0°C TO + 60°C OR 140°F TO 140°F

SAMPLING INTERVALS & DISPLAY UPDATED:

1 SECOND FOR THE FIRST 5 MINUTES AND FOLLOWED BY 1 MINUTE

OTHER:

CALIBRATION, TEMPERATURE COMPENSATION

THERMOMETER: DISPLAY AND MEASURING RANGE -10 °C TO +600 °C OR -14.0 °F TO 140 °F

RESOLUTION: 0.1 °C OR 0.18 °F

ACCURACY: +/- 1 °C OR 1.8 °F OVER TEMPERATURE RANGE -10 °C TO +60 °C OR 14.0 °F TO 140.0 °F

SAMPLING INTERVALS & DISPLAY UPDATED:

1 SECOND FOR THE FIRST 5 MINUTES AND FOLLOWED BY 1 MINUTE.

ALTIMETER MEASURING RANGE: -702 M TO 9164 M OR -2309 FT TO 30149 FT (ASSUME SEA LEVEL IS 1013.20 mbar & 0 M)

DISPLAY RANGE: -9164 M TO 9164 M OR -30149 FT TO 30149 FT (DEPENDS ON THE REFERENCE SETTING)

RESOLUTION: 1 M OR 3.29 FT

ACCURACY:

(1) +/- 10 M OR 32.9 FT AT 30°C

(2) +/- 50 M OVER TEMPERATURE RANGE -10°C TO 60°C

ALTITUDE REFERENCE SETTING: 0 M OR OWN ALTITUDE OFFSET

INFLUENCE OF TEMPERATURE CHANGE ON ALTITUDE:
MINIMUM

METHOD OF CONVERSION PRESSURE / ALTITUDE: ICAO/ISA

SAMPLING INTERVALS & DISPLAY UPDATED. 1 SECOND FOR THE FIRST 5 MINUTES AND FOLLOWED BY 1 MINUTE

BATTERY-LOW INDICATOR

AN ICON WILL BE SHOWN ON DISPLAY.