

DESIGN – Radio controlled wall clock

Thank you for choosing this instrument from TFA.

1. Before you use it

- Please be sure to read the instruction manual carefully. This information will help you to familiarise yourself with your new device, learn all of its functions and parts, find out important details about its first use and how to operate it, and get advice in the event of faults.
- Following the instruction manual for use will prevent damage to the device and loss of your statutory rights arising from defects due to incorrect use. We shall not be liable for any damage occurring as a result of not following these instructions.
- Please take particular note of the safety advice!
- Please look after this manual for future reference.

2. Scope of supply

- Radio controlled wall clock
- Battery 1 x 1.5 V AA
- Instruction manual

3. Field of operation and all of the benefits of your new instrument at a glance

- Highest precision radio-controlled clock
- Analogue display
- Large dial
- With second hand

4. For your safety

- The product is exclusively intended for the field of application described above. The product should only be used as described within these instructions.
- Unauthorised repairs, modifications or changes to the product are prohibited.
- The product is not to be used for medical purpose or for public information, but is intended only for home use.



Caution!
Risk of injury:

- Keep this instrument and the battery out of reach of children.
- Batteries must not be thrown into the fire, short-circuited, taken apart or recharged. Risk of explosion!
- Batteries contain harmful acids. Low batteries should be changed as soon as possible to prevent damage caused by a leaking battery.
- Wear chemical-resistant protective gloves and glasses when handling leaked batteries.



Important information on product safety!

- o Do not place the unit near extreme temperatures, vibration or shock.
- o Protect from moisture.

5. Elements (Fig. 1)**Buttons**

- A: **SET** button
- B: **RESET** button
- C: **WAVE** button

GB

Instruction manual

TFA

Kat. Nr. 60.3504

**Housing**

- D: Wall mounting hole
- E: Battery compartment

6. Radio controlled time reception

The MSF radio time code is controlled by a caesium atomic clock situated in England. The time is coded and transmitted via frequency signal MSF (60 kHz) and is available across the whole of the UK and beyond. Your radio-controlled clock receives this signal and converts it to show the precise time in summer or wintertime. The quality of the reception depends greatly on the geographic location. In normal cases, there should be no reception problems within the UK.

Please take note of the following:

- Recommended distance to any interfering sources like computer monitors or TV sets is a minimum of 1.5 - 2 metres.
- Within ferro-concrete rooms (basements, superstructures), the received signal is naturally weakened. In extreme cases, please place the unit close to a window.
- During night-time, the atmospheric disturbances are usually less severe and reception is possible in most cases. A single daily reception is adequate to keep the accuracy deviation below 1 second.

7. Getting started

- Insert 1 x AA size 1.5 V alkaline battery as indicated by the polarity.
- The unit is now ready to use.

DESIGN – Radio controlled wall clock

GB

- After the initial setup, the clock shows 12 o'clock and is trying to receive the radio signal for 5 minutes. When the time code is received, the radio-controlled time will be shown. If the reception fails, scanning stops and will be repeated again every solid hour. The reception will be tried 12 times.
- Manual initialization can be helpful. Press **WAVE** or **RESET** button with a pin and the clock will scan the MSF frequency signal.

8. Manual setting of clock

- In case the clock cannot detect the MSF-signal (for example due to disturbances, transmitting distance, etc.) the time can be set manually. The clock will then work as a normal quartz clock.
- Press the **SET** button with a pin for manual time setting.
- The manually set time will be overwritten by the MSF time when the signal is received successfully.

9. Care and maintenance

- Clean it with a soft damp cloth. Do not use solvents or scouring agents.
- Remove the battery if you do not use the product for a lengthy period.
- Keep the instrument in a dry place.

10. Troubleshooting

Problems	Solution
No pointer movement	→ Change battery → Ensure battery polarity is correct
No MSF reception	→ Press and hold WAVE button → Manual time setting → Choose another place for the instrument → Wait for attempted reception during the night → Check if there is any source of interference
Incorrect display	→ Press RESET button → Change battery

If your device fails to work despite these measures contact the supplier from whom you purchased it.

11. Waste disposal

This product has been manufactured using high-grade materials and components which can be recycled and reused.



Never dispose empty batteries and rechargeable batteries in household waste.

As a consumer, you are legally required to take them to your retail store or to appropriate collection sites depending to national or local regulations in order to protect the environment.

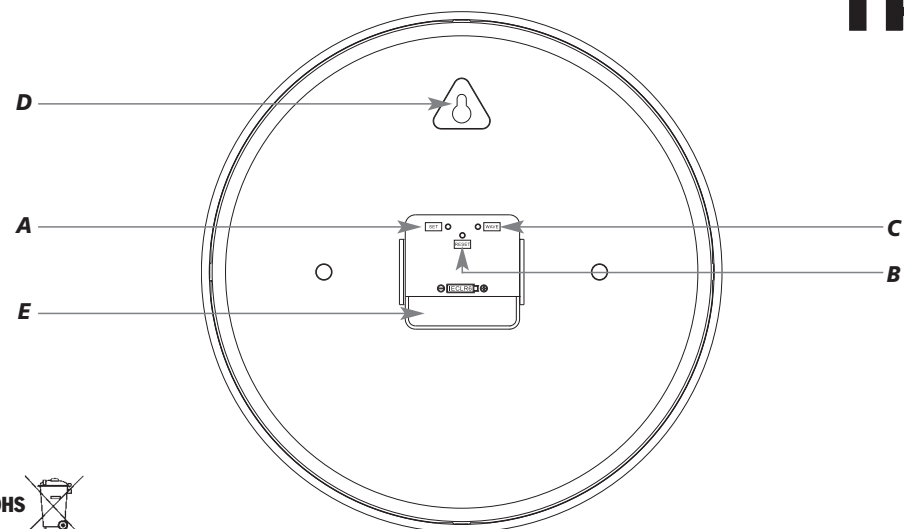
The symbols for the heavy metals contained are: Cd=cadmium, Hg=mercury, Pb=lead



This instrument is labelled in accordance with the EU Waste Electrical and Electronic Equipment Directive (WEEE).

Please do not dispose of this instrument in household waste. The user is obligated to take end-of-life devices to a designated collection point for the disposal of electrical and electronic equipment, in order to ensure environmentally-compatible disposal.

Fig. 1



TFA



Kat. Nr. 60.3504

12. Specifications

Power consumption: Battery 1,5 V AA

Housing dimension: Ø 250 x 41 mm

Weight: 490 g

TFA Dostmann GmbH & Co. KG, Zum Ottersberg 12, D-97877 Wertheim.

No part of this manual may be reproduced without written consent of TFA Dostmann. The technical data are correct at the time of going to print and may change without prior notice.

DECLARATION OF CONFORMITY

Herewith we declare, that this wireless transmission device does comply with the essentials requirements of R&TTE Directive 1999/5/EC.

A copy of the signed and dated Declaration of Conformity is available on request via info@tfa-dostmann.de.

www.tfa-dostmann.de