

Instruction Manual

Kat. Nr. 60.3515



TFA®

DESIGN – Radio controlled wall clock



Thank you for choosing this instrument from the firm TFA.

1. Before you start using it

- Please make sure to read the instruction manual carefully. This information will help you to familiarise yourself with your new device, to learn all of its functions and parts, to find out important details about its first use, how to operate it, and get advice in the event of faults.
- Following and respecting the instructions of your manual will prevent damage to your instrument and loss of your statutory rights arising from defects due to incorrect use.
- We shall not be liable for any damage occurring as a result of not following these instructions.
- Please take particular note of the safety advice!
- Please keep this instruction manual for future reference.

2. Field of operation and the benefits of your new instrument at a glance

- **Novelty:** Radio-controlled clock with silent "Sweep" movement
- High precision
- Large easy-to-read dial
- Second hand
- Ideal for home, office, waiting room, lobby or entrance hall or as a gift

3. For your safety

- This product is exclusively intended for the field of application described above. It should only be used as described in your instruction manual.
- Unauthorised repairs, modifications or changes to the product are prohibited.
- This product is not to be used for medical purpose or for public information, it is only intended for home use.



Caution!
Risk of injury:

- Keep this instrument and its battery out of the reach of children.
- Batteries must not be thrown into a fire, short-circuited, taken apart or recharged. Risk of explosion!

Instruction Manual

Kat. Nr. 60.3515

TFA®

- Batteries contain harmful acids. Low batteries should be changed as soon as possible to prevent damage caused by leaking.
- Wear chemical-resistant protective gloves and glasses when handling leaking batteries.



Important information on product safety!

- Do not place the instrument near extreme temperatures, vibrations or shocks.
- Protect it from moisture.

4. Elements

Buttons

- A:** M SET button
- B:** RESET button
- C:** REC button

Housing

- D:** Wall mounting hole
- E:** Battery compartment

Note for radio-controlled time MSF:

The MSF radio time code is controlled by a caesium atomic clock situated in England. The time is coded and transmitted via frequency signal MSF (60 kHz) and is available across the whole of the UK and beyond. Your radio-controlled clock receives this signal and converts it to show the precise time in summer or wintertime. The quality of the reception depends greatly on the geographic location. In normal cases, there should be no reception problems within the UK.

Please take note of the following:

- The recommended distance to any interfering sources like computer monitors or TV sets is a minimum of 1.5 - 2 meters.
- Within ferro-concrete rooms (basements, superstructures), the received signal is naturally weakened. In extreme cases, please place the unit close to a window.
- During night-time, the atmospheric disturbances are usually less severe and reception is possible in most cases. A single daily reception is adequate to keep the accuracy deviation under 1 second.

5. Getting started

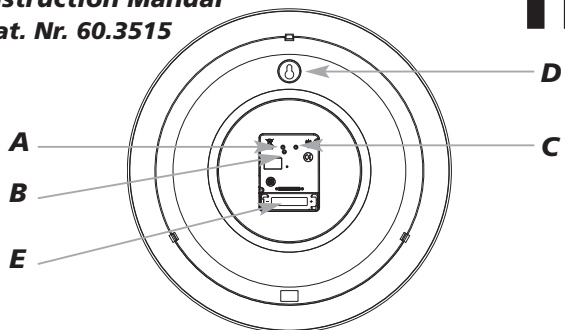
- Insert one new battery AA size 1.5 V with the polarity as indicated.
- Your clock is now ready to use.
- After the initial setup, the pointers move to 12 o'clock and will try to receive the radio signal for 3-12 minutes. When the time code is received, the radio-controlled time will be shown. The clock receives the signal twice a day (1:00 and 3:00 am). During the reception the second hand stops at 12 o'clock.

5.1 REC button

- Manual initialization can be helpful. Press the REC button for 3 seconds. The second hand stops and the clock will scan the MSF frequency signal.

Instruction Manual Kat. Nr. 60.3515

TFA®



5.2 M SET button - Manual setting of clock

- In case the clock cannot detect the MSF-signal (for example due to disturbances, transmitting distance, etc.) the time can be set manually. The clock will then work as a normal quartz clock.
- Press and hold M SET button for three seconds.
- Hold the button until the desired time is indicated.
- Press the button briefly the pointer moves minute by minute.
- The second hand stops at 12 o'clock.
- After 30 seconds or when pressing the REC button the second pointer is moving forward again.
- The manually set time will be overwritten by the MSF time when the signal is received successfully.

5.3 RESET button

- Use a pin to press the RESET button if the unit does not work properly.

6. Care and maintenance

- Clean your instrument with a soft damp cloth. Do not use solvents or scouring agents.
- Remove the battery if you do not use the product for a long period of time.
- Keep your clock in a dry place.

7. Troubleshooting

Problem	Solution
No pointer movement	→ Ensure that the battery polarity is correct → Change the battery
No MSF reception	→ Press the REC button for 3 seconds → Change location (interference!) → Wait for attempted reception during the night → Set the clock manually
Incorrect display	→ Press the RESET button with a pin → Change the battery

If your device fails to work despite these measures contact the supplier from whom you purchased it.

Instruction Manual Kat. Nr. 60.3515

TFA®

8. Waste disposal

This product has been manufactured using high-grade materials and components which can be recycled and reused.



Never dispose of empty batteries and rechargeable batteries in household waste.

As a consumer, you are legally required to take them to your retail store or to an appropriate collection site depending on national or local regulations in order to protect the environment.

The symbols for the heavy metals contained are:
Cd=cadmium, Hg=mercury, Pb=lead



This instrument is labelled in accordance with the EU Waste Electrical and Electronic Equipment Directive (WEEE).

Please do not dispose of this instrument in household waste. The user is obligated to take end-of-life devices to a designated collection point for the disposal of electrical and electronic equipment, in order to ensure environmentally-compatible disposal.

9. Specifications

Power consumption:	Battery 1.5 V AA (not included)
Housing dimension:	Ø 302 x 47 mm
Weight:	434 g (instrument only)

TFA Dostmann GmbH & Co.KG, Zum Ottersberg 12, D-97877 Wertheim.
No part of this manual may be reproduced without written consent of TFA Dostmann.
The technical data are correct at the time of going to print and may change without prior notice.

DECLARATION OF CONFORMITY

Herewith we declare, that this wireless transmission device does comply with the essentials requirements of R&TTE Directive 1999/5/EC.

A copy of the signed and dated Declaration of Conformity is available on request via info@tfa-dostmann.de.

www.tfa-dostmann.de

07/13

